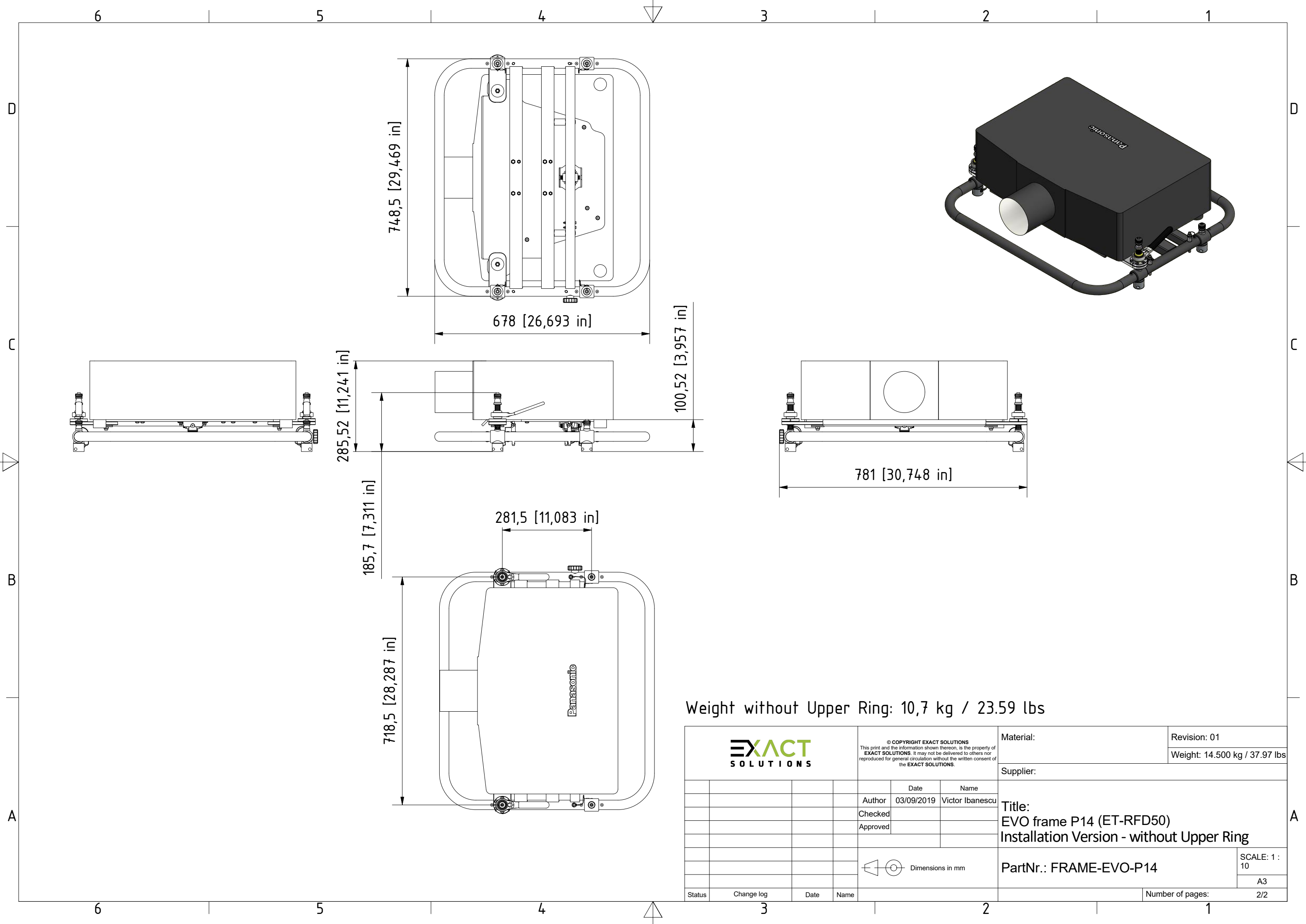


		<small>© COPYRIGHT EXACT SOLUTIONS This print and the information shown thereon, is the property of EXACT SOLUTIONS. It may not be delivered to others nor reproduced for general circulation without the written consent of the EXACT SOLUTIONS.</small>		Material:	Revision: 01
				Supplier:	Weight: 14.500 kg / 37.97 lbs
			Date	Name	Title: EVO frame P14 (ET-RFD50)
		Author	03/09/2019	Victor Ibanescu	
		Checked			
		Approved			PartNr.: FRAME-EVO-P14
			Dimensions in mm		SCALE: 1 : 10 A3
Status	Change log	Date	Name	Number of pages: 1/2	



Weight without Upper Ring: 10,7 kg / 23.59 lbs

	© COPYRIGHT EXACT SOLUTIONS This print and the information shown thereon, is the property of EXACT SOLUTIONS. It may not be delivered to others nor reproduced for general circulation without the written consent of the EXACT SOLUTIONS.		Material:	Revision: 01								
			Supplier:	Weight: 14.500 kg / 37.97 lbs								
			Title: EVO frame P14 (ET-RFD50) Installation Version - without Upper Ring									
		<table border="1" style="width: 100%; border-collapse: collapse;"> <thead> <tr> <th>Date</th> <th>Name</th> </tr> </thead> <tbody> <tr> <td>Author 03/09/2019</td> <td>Victor Ibanescu</td> </tr> <tr> <td>Checked</td> <td></td> </tr> <tr> <td>Approved</td> <td></td> </tr> </tbody> </table>			Date	Name	Author 03/09/2019	Victor Ibanescu	Checked		Approved	
Date	Name											
Author 03/09/2019	Victor Ibanescu											
Checked												
Approved												
		Dimensions in mm	PartNr.: FRAME-EVO-P14	SCALE: 1 : 10 A3								
Status	Change log	Date	Name	Number of pages:	2/2							