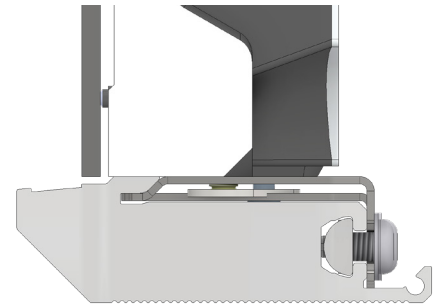


primeTOUCH slim

Datasheet

Key-Facts:

- ▶ Precise multitouch interactivity for large DV-LED walls
- ▶ Easy retrofit of existing systems (Ready to go)
- ▶ Direct mounting to the LED cabinet
- ▶ Scalable for custom sizes
- ▶ Ultra-slim frame design



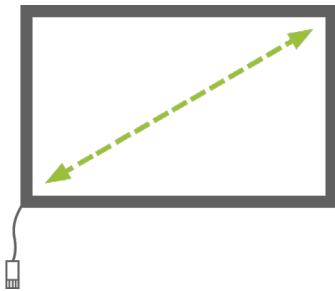
Cross section of the primeTOUCH slim profile

primeTOUCH slim - Tuch Upgrade for DV-LED

The primeTOUCH slim adds precise multi-touch functionality to DV-LED. Its ultra-slim bezel allows for discreet integration while maintaining a flat, minimalist appearance. The system is designed for mounting on virtually all LED modules. Existing, non-interactive LED walls can thus be efficiently upgraded to interactive touch systems.

The primeTOUCH slim combines reliable touch technology with an discreet frame design, supporting both intuitive operation and a clean, high-quality overall look. The frame can also be attached directly to the LED cabinet, enabling particularly simple and quick installation.

primeTOUCH slim [custom]



The custom-made primeTOUCH frame consists of individual segments. This system allows for the creation of interactive display surfaces with a diagonal of up to approximately 500 inches.

primeTOUCH slim [no-Y]



In some applications, the vertical sensor components of the primeTOUCH slim can be distracting. For this reason, EXACT solutions offers a system that uses only the horizontal parts of the frame. The only connection between the two sensor components is a thin cable that is easy to conceal.

primeTOUCH slim

Datenblatt

Specifications

Interface

Connection	USB 2.0 (Full Speed) connector type A
Operating system	Windows 11, MAC OS X, Ubuntu/Fedora
Software interface	native Windows touch commands, TUIO

Mechanical Data

Available sizes	up to approx. 500"
Profile width	overall frame width: 17.5 mm visible frame width: 5.7 mm
Profile depth	total profile depth: 58 mm Front Overhang (Display Side):
Material	aluminium frame; steel brackets
Colour	matte black

Touch

Technology	infrared LEDs and photo diodes
Touch points	detects up to 32 touch points (up to 50 on demand)
Touch point accuracy	+/-1.5 mm
Response time	7-16 ms
Method	detects any kind of object without pressure (finger, gloved hand, stylus ...)

Warranty

24 months; applies to TOUCH technology parts, may differ depending on screen used; excluded USB cable, protection glass and foil (integrated version)