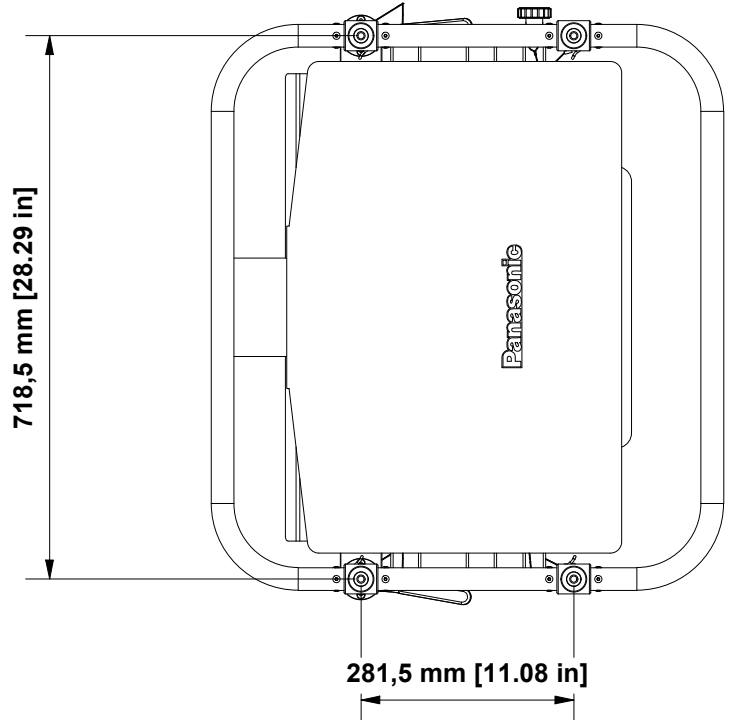
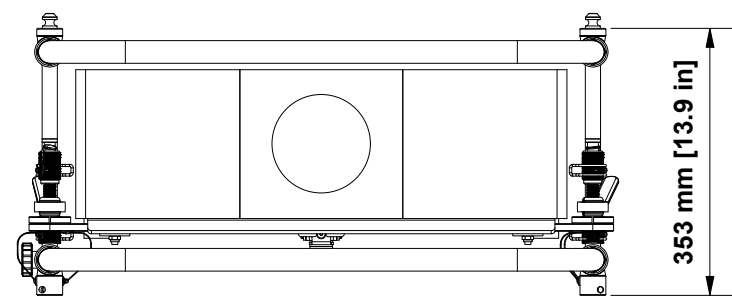
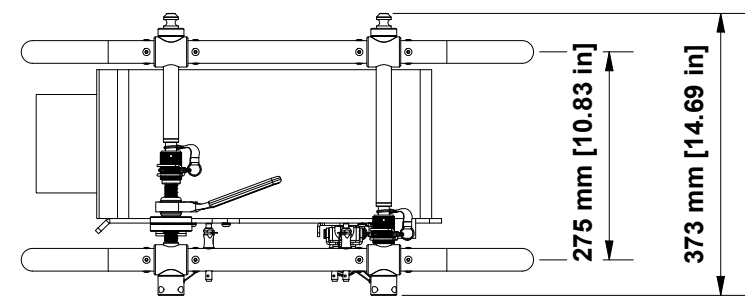
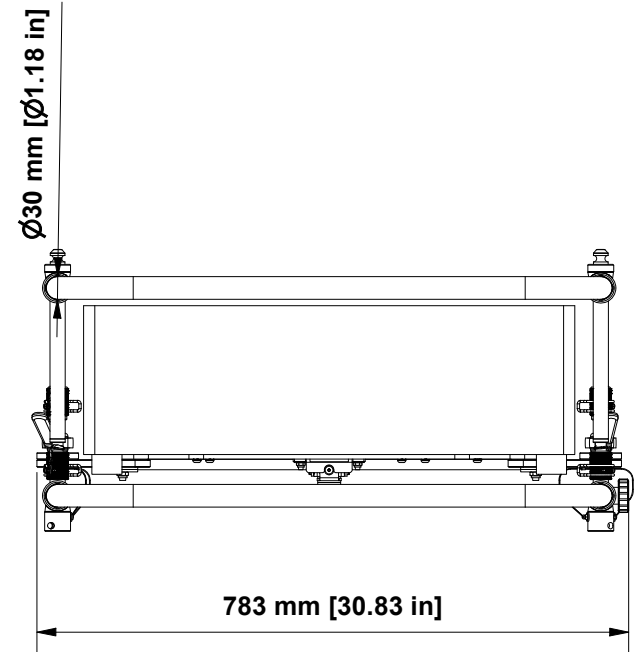
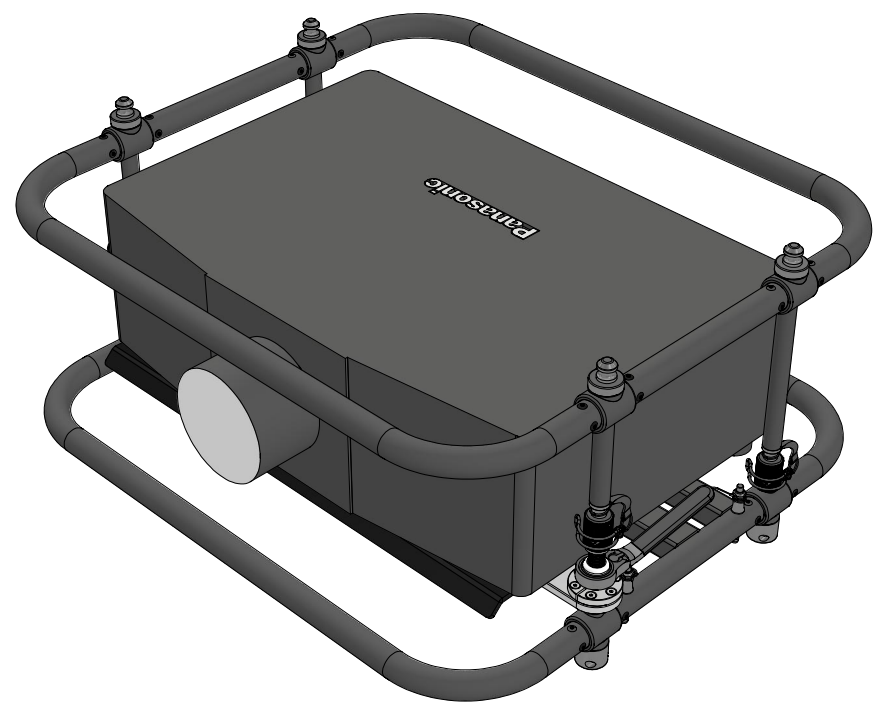
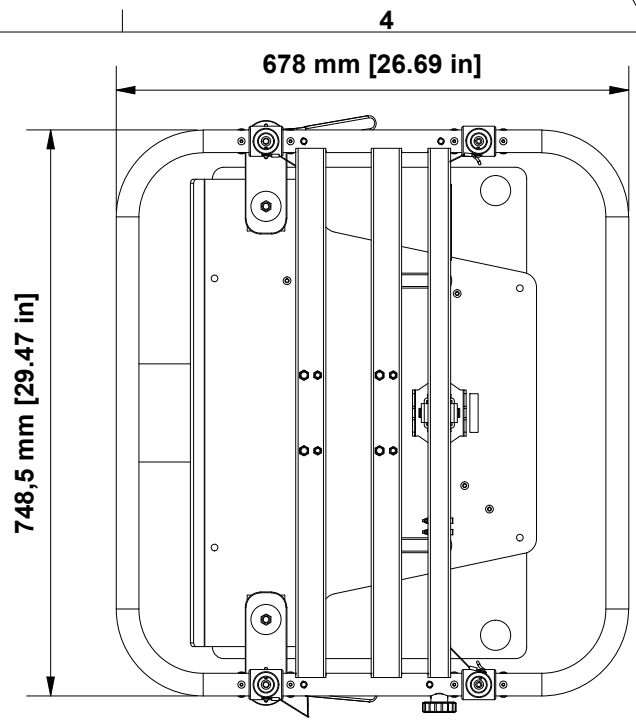


6		5	
FRAME-EVO-P14 / P14-US designation			
European Market		Non-European market	
Manufacturer m.no: FRAME-EVO-P14		Manufacturer m.no: FRAME-EVO-EVO-P14-US	
Panasonic EU m.o: ET-RFD50		Panasonic USA m.o: ET-PFD465	



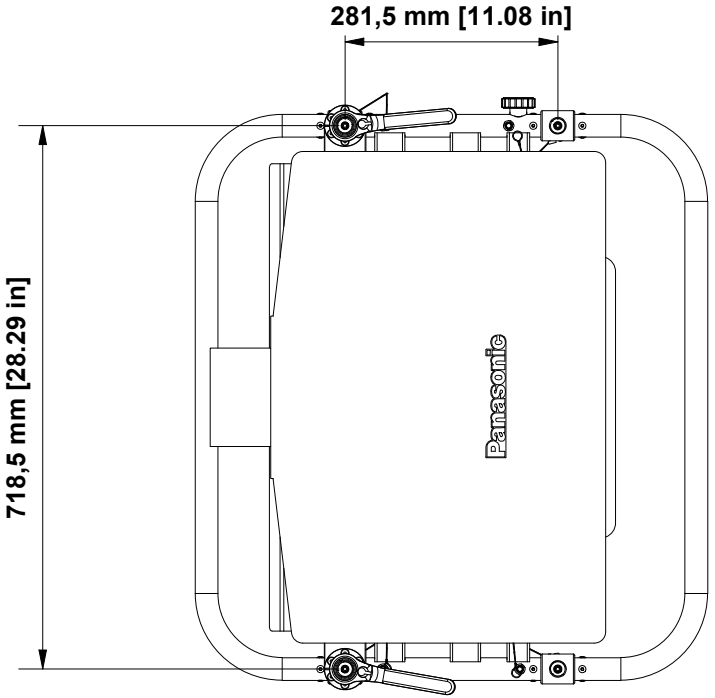
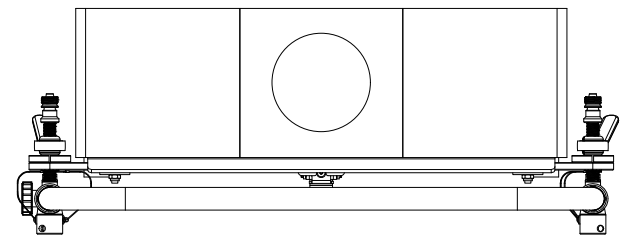
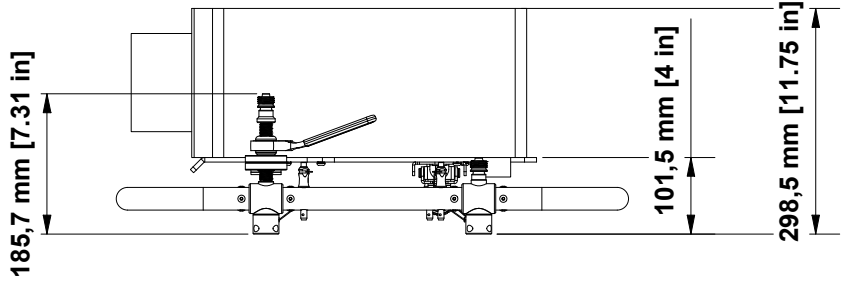
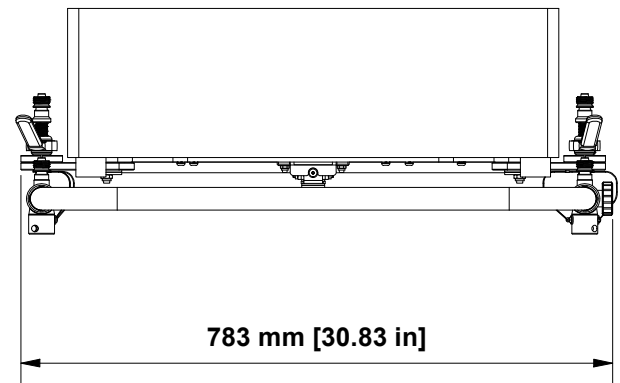
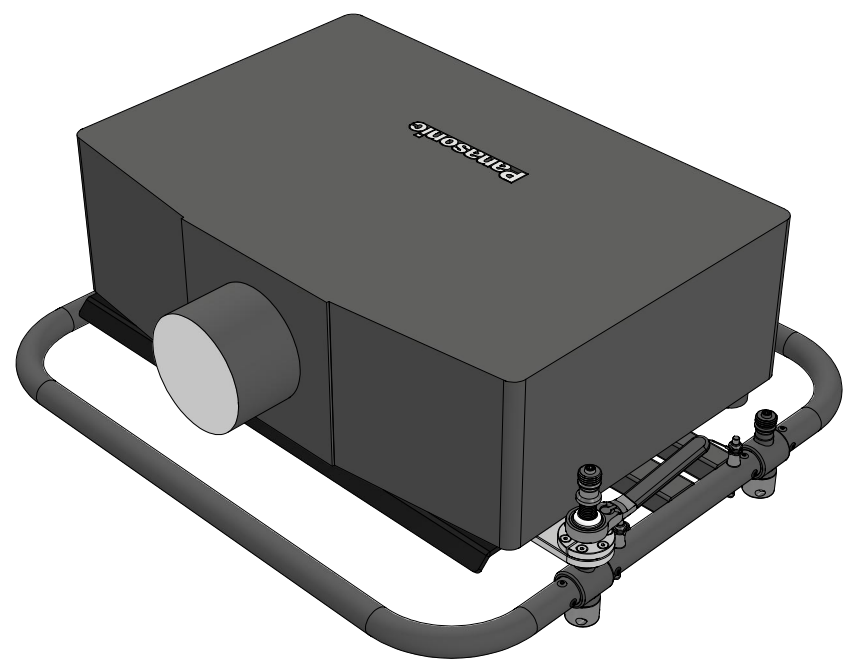
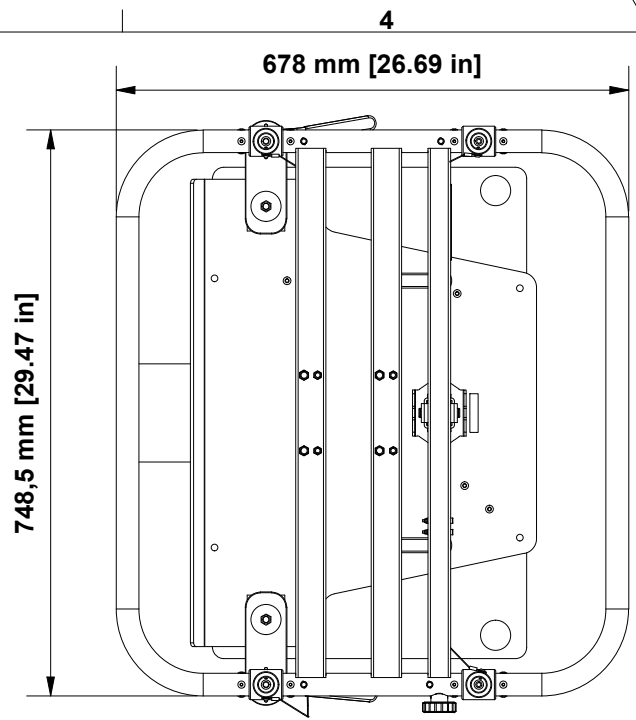
Frame weight without the projector: 15,2 kg / 33.51 lbs

	© COPYRIGHT EXACT SOLUTIONS This print and the information shown thereon, is the property of EXACT SOLUTIONS. It may not be delivered to others nor reproduced for general circulation without the written consent of the EXACT SOLUTIONS.		Material:	Revision: 02	
			Coating:	Weight: 15,2 kg / 33.51 lbs	
	Date	Name	Title: EVO frame P14		
	Author	19.03.2026 Victor Ibanescu			
	Checked				
	Approved		Part Nr.: FRAME-EVO-P14		
			SCALE: 1 : 10 A3		
Status	Change log	Date	Name	Number of pages: 1/2	

Dimensions in mm

Design and specifications subject to change without notice

6		5	
FRAME-EVO-P14 / P14-US designation			
European Market		Non-European market	
Manufacturer m.no: FRAME-EVO-P14		Manufacturer m.no: FRAME-EVO-EVO-P14-US	
Panasonic EU m.o: ET-RFD50		Panasonic USA m.o: ET-PFD465	



Weight without the Upper Ring: 11,4 kg / 25.13 lbs

	© COPYRIGHT EXACT SOLUTIONS This print and the information shown thereon, is the property of EXACT SOLUTIONS. It may not be delivered to others nor reproduced for general circulation without the written consent of the EXACT SOLUTIONS.		Material:	Revision: 02
			Coating:	Weight: 15,2 kg / 33.51 lbs
		Title:		
		EVO frame P14 Installation Version - without Upper Ring		
		Part Nr.: FRAME-EVO-P14		SCALE: 1 : 10 A3
				Number of pages: 2/2
Status	Change log	Date	Name	Design and specifications subject to change without notice

D

C

B

A

D

C

B

A

6

5

4

3

2

1