

EVO-LINK-350

Truss mount for EVO frame series

Manual Version 1.1



Date	Revision No.	Author	Checked	Approved	Description
12.08.2025	1.0	TSN	JHL	RBR	initial release
28.04.2026	1.1	TSN			P32H added

These installation instructions must always be provided to the installing persons



Note: This manual is subject to change without further notice. The latest manual version can be found online at www.exactsolutions.de or by contacting us directly.

Table of contents

1. Preamble	2
1.1 Tools required.....	2
2. Safety instructions	3
2.1 Definition of qualified persons	3
2.2 Warnings.....	4
2.3 Caution.....	9
2.4 Risk Situations.....	10
3. Scope of delivery	12
4. Overview of model numbers and compatibility	12
4.1 EVO-LINK-350 designations	12
4.2 Compatible frames for EVO-LINK-350	13
5. Accessories	14
6. Description of the product	15
6.1 Intended use	15
6.2 Specifications.....	15
7. EVO-LINK-350 and the EVO frame series	16
7.1 Attaching to a smaller frame with M8.....	17
7.2 Attaching to larger frame with M8 and M10	19
7.3 Attaching to an extra large frame with M8 and M10.....	21
7.4 Mounting the EVO-LINK-350 to a truss	23
8. Adjustment options	28
9. Maximum stacking information	30
10. System maintenance and inspection Re-examination	32
10.1 Mounting screws	33
10.2 Screws M12 attaching the clamps.....	34
11. Disposal of components	35
11.1 Metal parts and packaging	35
11.2 Disposal of entire devices.....	35
12. Declaration of Conformity	36

1. Preamble

The EVO-LINK-350 has been developed and manufactured with the highest care and attention. However, improper handling can cause a risk for safety and / or damage. Read these instructions carefully before handling and installing the product so that you can safely enjoy your device. In the following pages you will find all the information needed for a safe and fast installation.

After the installation is done properly, you can enjoy all the features of your new product. Please consider keeping the original box and packaging materials, in case you ever need to ship the product.

Model number: - EVO-LINK-350

Copyright © 2025 EXACT solutions GmbH. All rights reserved.

1.1 Tools required

The tools required are:

- 6mm Allen key to tighten the M8 screws and 8 mm Allen key to tighten the M10 screws



Figure 1 Allen key (hex key)

- 19mm hexagon wrench key



Figure 2 19mm hexagon wrench key

- Universal torque



Figure 3 Universal torque key

2. Safety instructions



These installation instructions must always be handed over to the person who is carrying out the installation.

Read these instructions carefully before installing the system.

2.1 Definition of qualified persons



Note: The definitions provided here in parts translated from German standard DGUV 315-390, chapter 4. The information provided in the following section is just an excerpt of DGUV 315-390. There is no guarantee for a flawless translation. For further details see DGUV 315-390 and consider your local laws and regulations.

Qualified Person (Technical Expert)

Qualified person is qualified through relevant technical professional training, through knowledge of the operating methods as well as professional experience and recent professional activity in the field of event technology.

The required qualifications include in particular:

- Knowledge of applicable regulations and technical rules
- Required information from the manufacturer of the mechanical event technology equipment, that needs to be tested
- Knowledge of the risk assessments of the mechanical work equipment for event technology, that needs to be tested

A person can be considered as qualified when it has been thoroughly informed and/or trained about the assigned task and the possible dangers that can occur in case of improper behaviour and / or not observing precisely the installation instructions.

Authorised Expert Inspector

Authorized experts are persons who:

- have completed a technical degree at a technical university or scientific college
- be able to demonstrate at least three years of experience in the design, construction, maintenance or testing of mechanical work equipment for event technology, including at least six months of experience in testing this equipment
- have special knowledge of the relevant regulations and regulations
- are familiar with the operation of the event technology
- have the facilities and documents required for the examination and
- keep their professional knowledge up to date
- attest a certificate of qualification from the DGUV (authorization of a statutory accident insurance institution to act as an expert according to § 36 DGUV regulation 17 or 18 "Event and production facilities for scenic representation")

The requirements contained in the BetrSichV in conjunction with TRBS 1203 for inspectors for the verification of mechanical work equipment for event technology are met by the authorized experts in accordance with DGUV regulation 17 or 18 "Event and production facilities for scenic representation". These meet the requirements for inspectors for the work equipment mentioned above.

2.2 Warnings



The EVO-LINK-350 is intended for use by fully qualified, trained and competent persons to provide safe and secure transportation, installation and adjustment of projectors.



Warning: Handling only by instructed, qualified and authorised person with a minimum age 18 years and of sound mind.



For indoor usage only

Only use the EVO-LINK-350 products as well as a corresponding frame with projector in a closed environment (conference rooms, theatres, convention halls, etc.) where there is no wind, moisture, excessive heat etc.



Make sure that only the designated projector frames are installed with the products of EVO-LINK-350! Do not try to use it with other products because serious accidents can occur!



Always use a set of two riggings slings with steel cable insert and two shackles that are stable enough for the load including dynamic forces when falling into the rigging sling! (two sets of rigging sling and shackle are mandatory) Otherwise it is not allowed to use the product and serious accidents, or death can happen.



When using EVO-LINK-SK or other solutions to act as a secondary safety device make sure that the load will not fall more than 10cm to avoid dynamic forces. Depending on the installation, additional material like shackles might be necessary.



Do not remove or replace any parts of EVO-LINK-350 on your own. Contact the manufacturer or service partner in case of damage or loss. Removing or replacing parts by non-certified companies or people might result in serious accidents and death.

Manual EVO-LINK-350

Only use the EVO-LINK-350 and its components for its intended use.

- If this product is used for something else than its intended use, serious accidents and death may result. See chapter 6.1 Intended use

Installation work should only be carried out by a qualified technician.

- If this product is not installed correctly, serious accidents and death may result.

Do not use the products of EVO-LINK-350 outdoors.

- This product is made only for indoor usage. If the product is mounted outdoor, there are many influences like wind or rain that can have an effect on the stability of the whole system.
- This can cause property damage, serious accidents and death.

A visual inspection must be done prior to every installation, in which the system is involved. The inspection must be performed by a qualified person.

- All parts of an EVO-LINK-350 truss mount must be inspected in detail prior to any usage
- Only if the product and all its components are in a flawless condition, it is safe to use the system.
- For further details, see chapter 10. System maintenance and inspection Re-examination
- Using a truss mount which has damages, missing parts or the like can cause serious accidents and death.

Only use projector frames and projectors that are specified by the manufacturer to be used with the EVO-LINK-350. When mounting the projector frame to the EVO-LINK-350, use all screws and washers that are specified by the manufacturer. Make sure to tighten the screws safely, with the provided torque information

- It is mandatory to use all screws and washers that the manufacturer defines to mount the projector frame to the EVO-LINK-350. Use only the ones that are clearly specified.
- For a safe installation the screws must be tightened with the provided torque
- Using the wrong screws or washers is highly dangerous. Tightening the screw with a too low torque can cause the screw to loosen itself. Tightening the screw with a too high torque might cause structural damage to the screw or the thread inside the projector.

Manual EVO-LINK-350

- Ignoring these instructions can cause the parts or the whole system to fall down and with this can cause death, serious injuries or product damage.

Do not install the EVO-LINK-350 truss mount and / or the projector frame while people are present under the mounting zone during the installation process.

- When installing the system (EVO-LINK-350, projector frame, projector) make sure no one is in the area underneath the installation zone. Otherwise, this will be a risk for all people underneath, that could cause serious injuries and death.

Make sure that the structure from which you hang the EVO-LINK-350 up is capable of carrying the overall weight of approx. 360 kg (794 lbs) plus the weight of all additional equipment as well as other potential systems. Do not hang the truss mount from unstable or inappropriate structures.

- Prior to any installation, you must do a visual inspection to make sure that the system is in a good condition. For more information, please refer to chapter 10. System maintenance and inspection Re-examination
- If the system is hung on an unstable structure, the entire system can fall down and injuries may occur. Make sure that the construction can support a total weight of up to 360,0 kg (794 lbs) plus the weight of all additional equipment as well as other potential systems. The above-named weight of 360,0 kg (794 lbs) represents the weight load limit of EVO-LINK-350 which is 350,0 kg plus the weight of the EVO-LINK-350 itself.
- Ignoring this might cause significant damage to the product and serious accidents or death may result

Make sure to use only approved and recommended projector frames to be used with the EVO-LINK-350 products. Only use approved and recommended accessories.

- Do not use other projector frames than the ones recommended and approved. Otherwise, using incompatible projector frames may lead to serious injuries, death and property damage
- Do not use other accessories than the ones recommended and approved. Otherwise, using insufficient accessories may lead to serious injuries, death and property damage
- Please also refer to chapter 4.2 Compatible frames for EVO-LINK-350 and also to chapter 5. Accessories

Manual EVO-LINK-350

Make sure to not exceed max. weight loads.

- Do not overload the products of EVO-LINK-350 or of any accessories and make sure the overall weight is within working specifications of the accessories. Please also refer to chapter 5. Accessories as well as to chapter 9. Maximum stacking information
- Overloading the accessories and other equipment can cause serious accidents and death

The EVO-LINK-350 and the used clamps are made for installing on 48-51mm diameter pipe structures. Do not try to use it with other dimensioned structures

- Ignoring this and trying to install the system to a different pipe diameter than 48 to 51mm is not allowed as it will not be safe and people might get hurt or killed.

Do not hang more projector frames under EVO-LINK-350 products than allowed by the manufacturer

- Do not exceed the maximum number of hung units as this may cause the whole system or parts of it to fall down. Refer to chapter 9. Maximum stacking information
- Ignoring this might cause significant damage to the product and serious accidents or death may result

When using the adjustment features of the EVO-LINK-350 products, never apply significant force.

- When using the adjustment features of the products, never apply force. All adjustments shall work smoothly and do not require significant force.
- If significant force is necessary, the cause may be a faulty part or that, the end of the adjustment range has been reached.
- Ignoring this, might cause significant damage to the product and serious accidents may result

Always secure the projector frame to the rigging truss with rigging slings with steel cable insert and shackles (two sets of rigging sling and shackle are mandatory).

- The projector frame must always be secured with an appropriate rigging sling and shackle so that in case of a malfunction it doesn't fall more than 10 cm. It is mandatory to use two sets of rigging sling and shackle to avoid too much dynamic forces as well as the projector swinging. Please consult the local laws or regulations regarding the additional safety of hanging equipment.

Manual EVO-LINK-350

- It is important to use correct rigging slings with cable inserts and shackles that are capable to resist the high dynamic forces.
- Refer also to chapter 7.4 Mounting the EVO-LINK-350 to a truss
- The rigging slings and shackles act as a secondary safety element and it is mandatory to use them. Not using them or using the wrong products might cause serious accidents and death.

Service work shall only be done by qualified personnel that is authorized by the manufacturer. Furthermore, only original spare parts shall be used.

- Unauthorized personnel shall never do service work on the products, as service work requires special training and knowledge
- Spare parts must always be original ones, provided by the manufacturer
- Not observing these rules on service work ends with immediate effect the responsibility of the manufacturer and, where applicable, warranty is irrecoverably lost. The product is no longer safe to use. This may cause serious accidents or death and property damage.

Do not overtighten the adjustment handle. It should be firmly tighten but not tightened with too much force.

- Refer to chapter 8. Adjustment options for more information.
- Do not use any tools to increase the force that is applied on the handle.
- If too much force is applied on the handle property damage or serious accidents can occur.

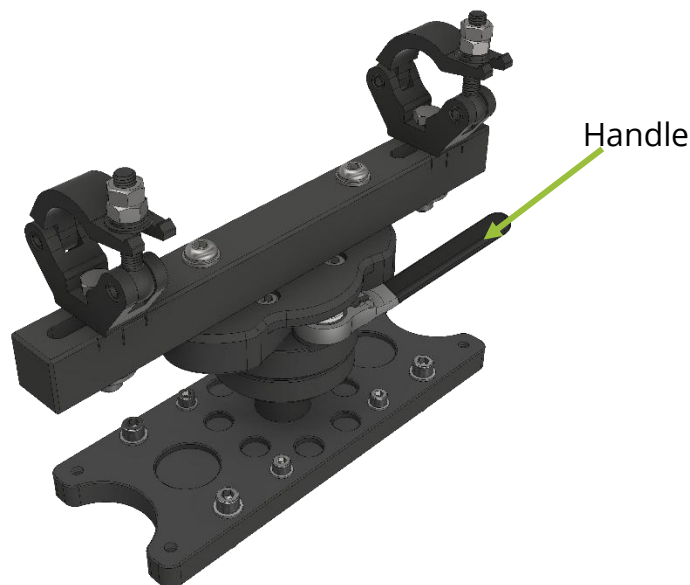


Figure 4 position of handle and cross recess screw drive

2.3 Caution

Before installing the frame to the EVO-LINK-350 truss mount, please read the frame's user manual.

- The EVO-LINK-350 truss mount with the frame and the projector attached must be installed only in an environment that is recommended by the projector manufacturer.
- If this product is not installed correctly, serious accidents may result.

Minimum two persons are required to install the EVO-LINK-350 products.

- With regard to the overall weight of all necessary installation devices, make sure to handle those with at least two people.

Periodic inspections are mandatory

- Depending on local laws and regulations owners / users must do periodic inspections of the frame and all components. In case of German regulations this must be done and documented once a year by a qualified and authorised person. Furthermore, for German DGUV V17/V18 is mandatory to revalidate the safety every four years. This must be done and documented by an expert, that is authorized by the German Social Accident Insurance (DGUV)

Do not place unsecured accessories like tools or electrical devices (converter, video player etc) on top of the frame that is mounted with EVO-LINK-350 to a truss.

- These devices may fall down and causes serious accidents or even death to people who are situated near the installation.
- The additional weight of every device added to the system must be considered. Contact the manufacturer for any questions.

Use suitable transport boxes / flight cases to protect the products during transport. Handle with care.

- When transporting the EVO-LINK-350 products, make sure you are using a flight case that protects and damps impacts during transport.
- Transport shall be carried out gently to avoid damages through falling or similar impacts.
- During transportation, heavy impacts might damage the product. In this case, the stability and safety of the system is at high risk. This can lead to accidents, death and property damage.

Use only gentle cleaning agents to avoid damage

- Cleaning may be done with a soft cloth and a little bit of warm, slightly soapy water
- Do not use any oil, acid etc. on the products or its components. This may damage the system.

Incorrect disposal is a risk to humans and nature

- Disposal must be done in accordance with local laws and regulations. Contact the manufacturer in case of any questions.

2.4 Risk Situations

Risk of injury due to the possibility of falling objects during the assembly or disassembly of the EVO-LINK-350 truss mount.

- Protection objective: Avoid injury from falling parts.
- Wear appropriate safety shoes, gloves and helmet.
- Make sure the area under the truss mount is clear and no person is present during installation.

Risk of hitting the head with the EVO-LINK-350 truss mount during the hanging set up process.

- Protection objective: Avoid injury from hitting the head.
- Wear a helmet.

Incorrect installation may lead to certain parts of the EVO-LINK-350 truss mount or the entire EVO-LINK-350 truss mount to fall down.

- Protection objective: Prevent personal injury and property damage.
- Double check the EVO-LINK-350 truss mount and its installation.
- Read the EVO-LINK-350 manual carefully.

Insufficient load capacity of the supporting structure may lead to certain parts of the EVO-LINK-350 truss mount or the entire EVO-LINK-350 truss mount to fall down.

- Protection objective: Prevent personal injury and property damage.
- Provide adequate dimensioning of the supporting structure. The supporting structure must be able to support the combined weight of all the equipment attached to, or hung from it.
- Ensure correct installation of the supporting structure.

Usage of unsafe ladders/steps/scaffolding may lead to serious personal injuries

- Protection objective: prevent personal injury by using only safe ladders/steps/scaffolding.
- Use only appropriate and safe equipment
- Always follow the documentation of the manufacturer of the provided ladders/steps/scaffolding
- Use personal safety equipment if necessary

3. Scope of delivery



Note: Please check the delivery for completeness and damage immediately after you receive the shipment. Please contact your vendor in case of missing or damaged parts.

	<p style="text-align: center;">EVO-LINK-350</p> <ul style="list-style-type: none"> • Used for frame installation • Number of units: 1 • Weight: 8,0 kg / 17,7 lbs • Permanently mounted four M8 screws and four M10 screws
	<p style="text-align: center;">User manual and installation guide for EVO-LINK-350</p>

4. Overview of model numbers and compatibility

4.1 EVO-LINK-350 designations

European market	Non-European market
Manufacturer m.no.: EVO-LINK-350	Manufacturer m.no.: EVO-LINK-350-US

m.no. = model number

4.2 Compatible frames for EVO-LINK-350

European market	Non-European market
Manufacturer m.no.: FRAME-EVO-P10 Panasonic EU m.no.: ET-RFD40	Manufacturer m.no.: FRAME-EVO-P10-US Panasonic USA m.no.: ET-PFD365
Manufacturer m.no.: FRAME-EVO-P11 Panasonic EU m.no.: ET-RFD41	Manufacturer m.no.: FRAME-EVO-P11-US Panasonic USA m.no.: ET-PFD366
Manufacturer m.no.: FRAME-EVO-P14 Panasonic EU m.no.: ET-RFD50	Manufacturer m.no.: FRAME-EVO-P14-US Panasonic USA m.no.: ET-PFD465
Manufacturer m.no.: FRAME-EVO-P20 Panasonic EU m.no.: ET-RFD60	Manufacturer m.no.: FRAME-EVO-P20-US Panasonic USA m.no.: ET-PFD565
Manufacturer m.no.: FRAME-EVO-P17 Panasonic EU m.no.: ET-RFD65	Manufacturer m.no.: FRAME-EVO-P17-US Panasonic USA m.no.: ET-PFD525
Manufacturer m.no.: FRAME-EVO-P30 Panasonic EU m.no.: ET-RFD70	Manufacturer m.no.: FRAME-EVO-P30-US Panasonic USA m.no.: ET-PFD765
Manufacturer m.no.: FRAME-EVO-P32H Panasonic EU m.no.: ET-RFD72H	Manufacturer m.no.: FRAME-EVO-P32H-US Panasonic USA m.no.: ET-PFD766H
Manufacturer m.no.: FRAME-EVO-E10 Epson m.no.: ELPMB59	Manufacturer m.no.: FRAME-EVO-E10 Epson m.no.: ELPMB59
Manufacturer m.no.: FRAME-EVO-E20 Epson m.no.: ELPMB57	Manufacturer m.no.: FRAME-EVO-E20 Epson m.no.: ELPMB57
Manufacturer m.no.: FRAME-EVO-C40H	Manufacturer m.no.: FRAME-EVO-C40H-US
Manufacturer m.no.: FRAME-EVO-C20	Manufacturer m.no.: FRAME-EVO-C20

m.no. = model number

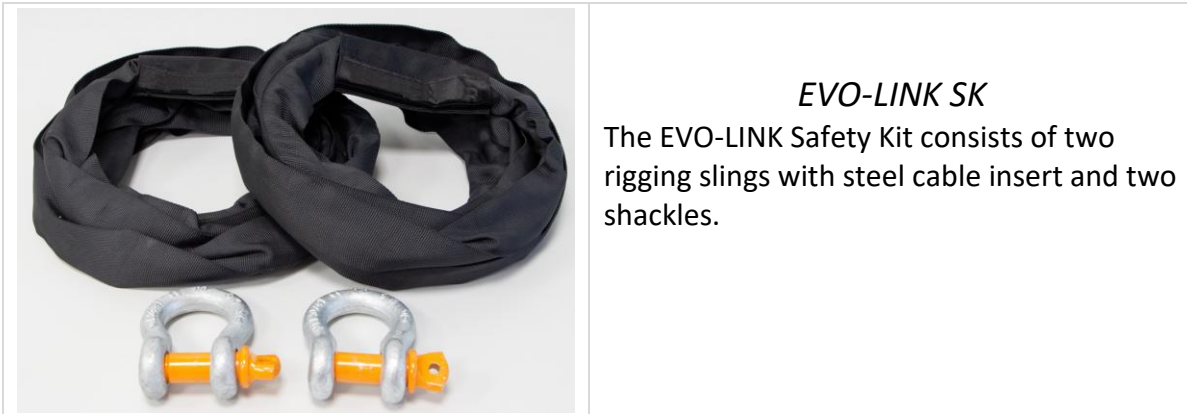


This is an abstract of a complete list of compatible projector frames. EVO-LINK-350 may also be compatible with other projector frames, please contact us for more information.



Note: In this manual, when reference is made to the manufacturer model number it is also automatically a reference to the Panasonic EU / USA or Epson model number like described in the table above.

5. Accessories



The optional accessories must be purchased separately. They are not included in the standard package!



Make sure to not exceed max. weight loads.



Always secure the frames to the rigging truss with rigging slings with steel cable insert and shackles (two sets of rigging sling and shackles are mandatory). A potential accessory offered by EXACT solutions is the EVO-LINK-SK. See above table for further details.



Make sure to use only approved and recommended accessories.

6. Description of the product

6.1 Intended use

The EVO-LINK-350 is a mount that is used to attach a projector rigging frame to a truss. It offers possibilities to adjust the projector rigging frame. The EVO-LINK-350 is intended for use by fully qualified, trained and competent person to provide safe and secure installation and adjustment of projectors. The EVO-LINK-350, the rigging frame as well as the projectors that can be installed are made only for indoor usage. The EVO-LINK-350 and the used clamps are made for installing on 50 mm diameter pipe structures. Do not try to use it with other dimensioned structures.

EVO-LINK-350 is mounted to EVO-FRAMES using either M8 or M10 screws depending on the actual frame. It has the following patterns to connect to the rigging frame:

- M8: 100x100 mm
- M10: 200x100 mm
- M10: 300x100 mm



Note: ECO-LINK-350 comes with one four piece set of M8 and one set of M10 screws. Depending on the M10 pattern that shall be used, the M10 screws must be screwed to the correct position.

6.2 Specifications

Parameter	Value
Size [mm]	See drawing
Weight [kg]	8,0 kg
Maximum safe working load	350 kg
Operating temperature [°C]	0 - 45
Operating rel. humidity [%rH]	10 - 75
Operation area	Indoor in closed rooms

7. EVO-LINK-350 and the EVO frame series

The EVO frame series can be divided into smaller, larger and extra large frames. Smaller frames have four M6 and/or four M8 threads on the bottom side. Both in a pattern of 100x100 mm. Please find below an overview of some of the smaller frames:

FRAME-EVO-P10
FRAME-EVO-P11
FRAME-EVO-P11-BE
FRAME-EVO-P14
FRAME-EVO-P17
FRAME-EVO-E10

Larger frames have four M8 threads in a 100x100 mm pattern and four M10 threads in a 300x100 mm pattern. Please find below an overview of the larger frames:

FRAME-EVO-C20
FRAME-EVO-P20
FRAME-EVO-P30
FRAME-EVO-P32H

Extra large frames have four M8 threads in a 100x100 mm pattern and four M10 threads in a 200x100 mm pattern. Currently there is only one frame considered as extra large.

FRAME-EVO-C40H



To see how many stacked frames can be hanged with EVO-LINK 350, please check the chapter 9. Maximum stacking information and the corresponding frame manual. Do not exceed the given number of maximum frames even though EVO-LINK-350 might be able to carry more weight!

Different frames have different mounting points. Please consult the compatibility list presented on subchapter 4.2 Compatible frames for EVO-LINK-350 to check if your frame is compatible with the EVO-LINK-350. After this consult the corresponding frame manual, to find out what type of mounting points are provided.

7.1 Attaching to a smaller frame with M8



Figure 5 Bottom side of a smaller frame (EVO-P10) with mounting points marked

Figure 5 shows a FRAME-EVO-P10 as an example. It has M6 and M8 mounting threads, both in a pattern of 100x100 mm. For LINK-350 only the M8 threads can be used.



EVO-LINK-350 has four M8 and four M10 screws to fix it to the projector frame. For the smaller frames, only the M8 screws can be used. All of the four M8 screws must be used.

Manual EVO-LINK-350

Step 1: Place the frame, with the projector already installed, upside down on a flat surface.

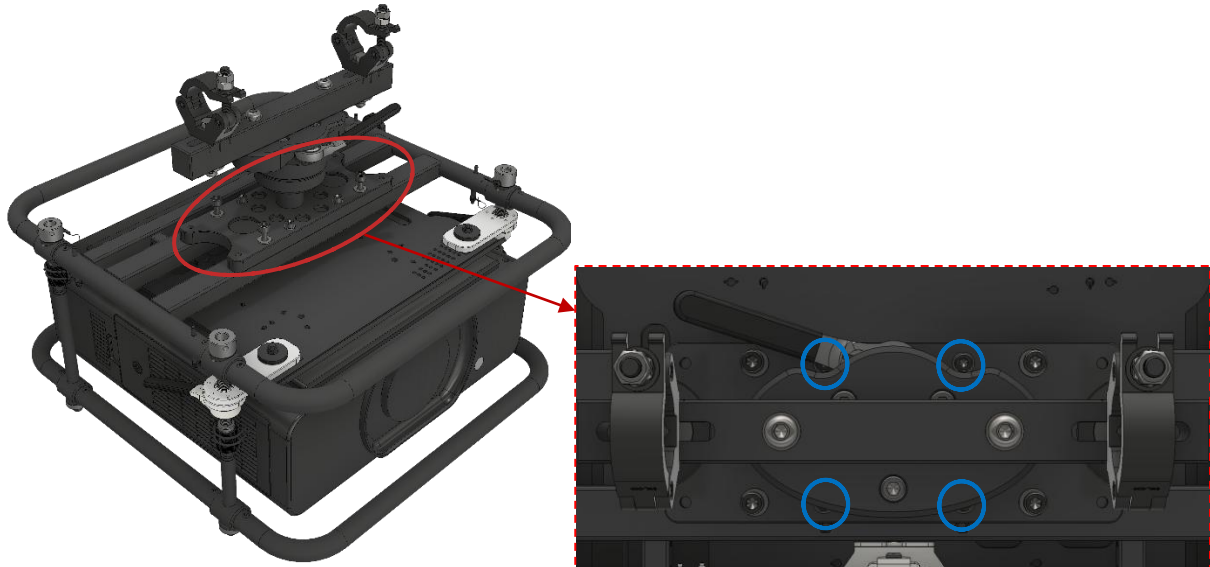


Figure 6 M8 threads on EVO-LINK (M8 marked in blue)

Above Figure 6 shows the M8 screws marked with a blue circle. Please note: the M10 screws of the EVO-LINK-350 are not used for smaller frames.

Step 2: Use the 6 mm hex key to tighten the four M8 screws with a torque of 25 ± 0.5 Nm. All four M8 screws must be used.



Make sure you tighten all of the four screws with the correct torque

Torque:
M8: 25 ± 0.5 Nm



Always secure the frames using appropriate **rigging slings with steel cable insert and shackles**. See chapter 7.4 Mounting the EVO-LINK-350 to a truss for further details.

7.2 Attaching to larger frame with M8 and M10



Figure 7 Bottom side of a larger frame (EVO-P20) with mounting points marked

Figure 7 shows a FRAME-EVO-P20 as an example. It has M8 and M10 mounting threads. M8 are in a pattern of 100x100 mm. M10 are in a pattern of 300x100 mm.



EVO-LINK-350 has four M8 and four M10 screws to fix it to the projector frame. For the larger frames, all of the four M8 and all of the four M10 screws must be used.



Note: ECO-LINK-350 comes with one four piece set of M8 and one set of M10 screws. Depending on the M10 pattern that shall be used, the M10 screws must be screwed to the correct position. In the case of the larger frames, it is 300x100 mm.

Manual EVO-LINK-350

Step 1: Place the frame, with the projector already installed, upside down on a flat surface.

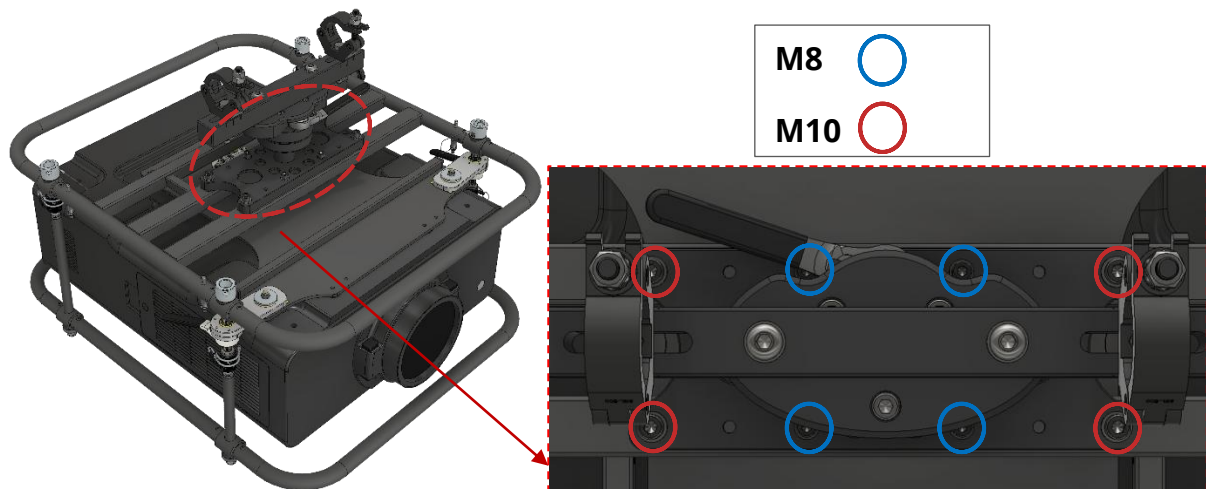


Figure 8 M8 and M10 threads on EVO-LINK

Above Figure 8 shows the M8 screws with a blue circle and the M10 screws with a red circle. Please note: the M10 are on the outer position which represents the pattern of 300x100mm.

Step 2: Use the 6 mm hex key to tighten the four M8 screws with a torque of 25 ± 0.5 Nm. Use the 8 mm hex key to tighten the four M10 screws with a torque of 50 ± 0.5 Nm. All four M8 and M10 screws have to be used.



Make sure you tighten all of the four screws with the correct torque

Torque:
M8: 25 ± 0.5 Nm
M10: 50 ± 0.5 Nm



Always secure the frames using appropriate **rigging slings with steel cable insert and shackles**. See chapter 7.4 Mounting the EVO-LINK-350 to a truss for further details.

7.3 Attaching to an extra large frame with M8 and M10



Figure 9 Bottom side of an extra large frame EVO-C40H with mounting points marked

Figure 9 shows a FRAME-EVO-C40H as an example. It has M8 and M10 mounting threads. M8 are in a pattern of 100x100 mm. M10 are in a pattern of 200x100 mm.



EVO-LINK-350 has four M8 and four M10 screws to fix it to the projector frame. For the extra large frames, all of the four M8 and all of the four M10 screws must be used.



Note: ECO-LINK-350 comes with one four piece set of M8 and one set of M10 screws. Depending on the M10 pattern that shall be used, the M10 screws must be screwed to the correct position.

Manual EVO-LINK-350

Step 1: Place the frame, with the projector already installed, upside down on a flat surface.

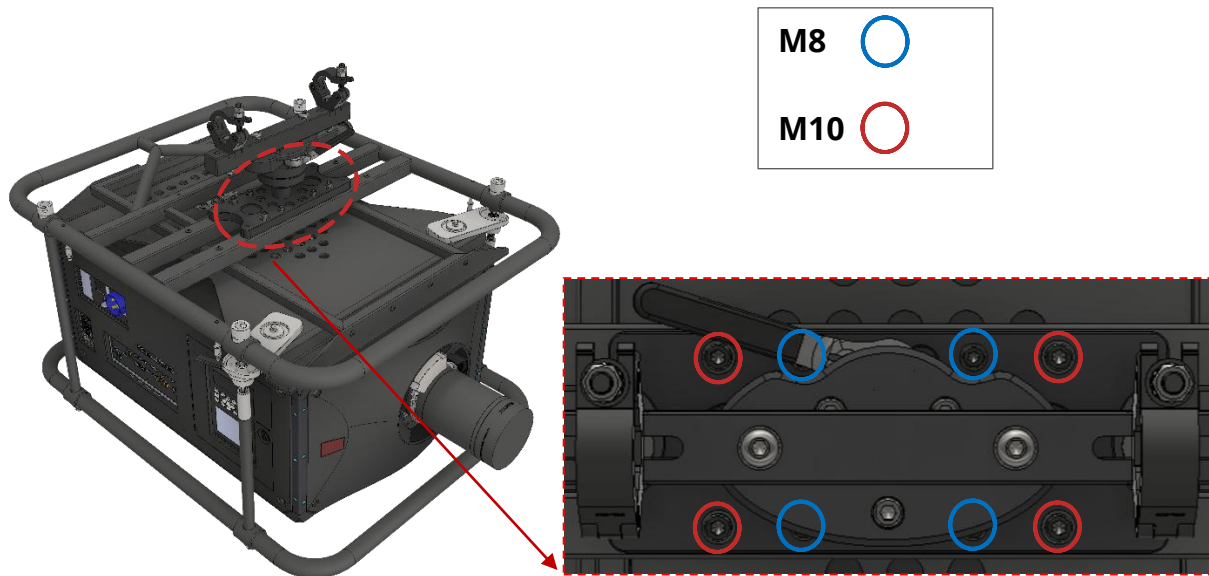


Figure 10 M8 and M10 threads on EVO-LINK

Figure 10 shows the M8 screws with a blue circle and the M10 screws with a red circle. Please note: the M10 are on the inner position which represents the pattern of 200x100mm.

Step 2: Use the 6 mm hex key to tighten the four M8 screws with a torque of 25 ± 0.5 Nm. Use the 8 mm hex key to tighten the four M10 screws with a torque of 50 ± 0.5 Nm. All four M8 and M10 screws must be used.



Do not exceed the maximum load limit of 350 kg for EVO-LINK-350.



Make sure you tighten all of the four screws with the correct torque

Torque: **M8: 25 ± 0.5 Nm**
 M10: 50 ± 0.5 Nm



Always secure the frames using appropriate **rigging slings with steel cable insert and shackles**. See chapter 7.4 Mounting the EVO-LINK-350 to a truss for further details.

7.4 Mounting the EVO-LINK-350 to a truss



The EVO-LINK-350 and the built-in rigging clamps are made to be installed on 50mm diameter pipe structures. Do not try to use it with other dimensioned structures

The two self-lock hook clamps on the EVO-LINK-350 cross beam can be adjusted in a range of 124 mm (4,88 in). The distance between the clamps can vary between 236mm and 360mm. For moving a clamp, please loosen the M12 safety nut with the 19mm hexagonal wrench key and move the clamps to the desired position. **Afterwards secure the M12 Safety nut with a torque of 85Nm +/-0,5 Nm.**

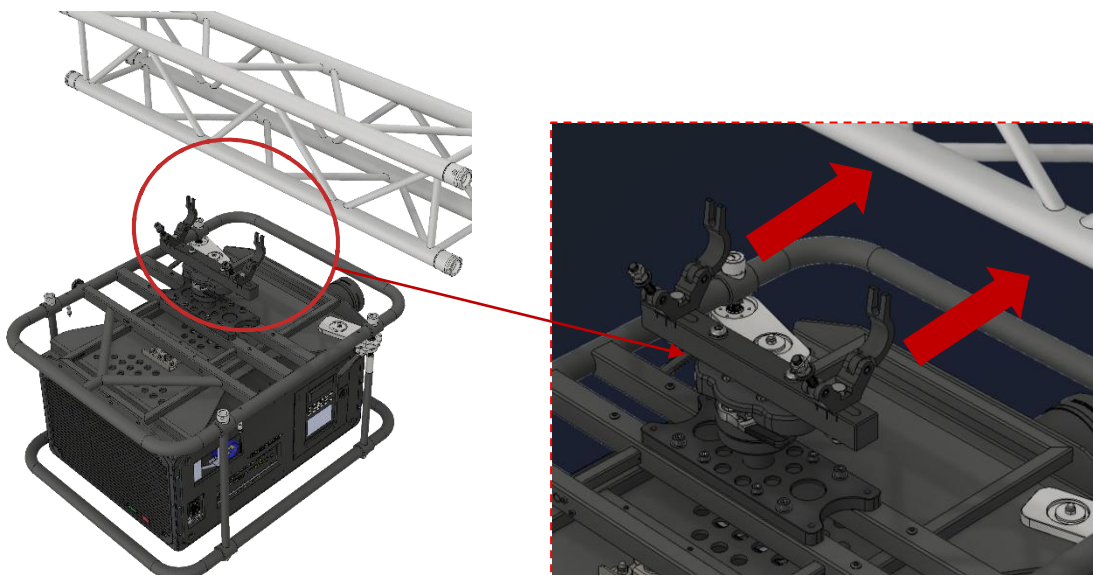
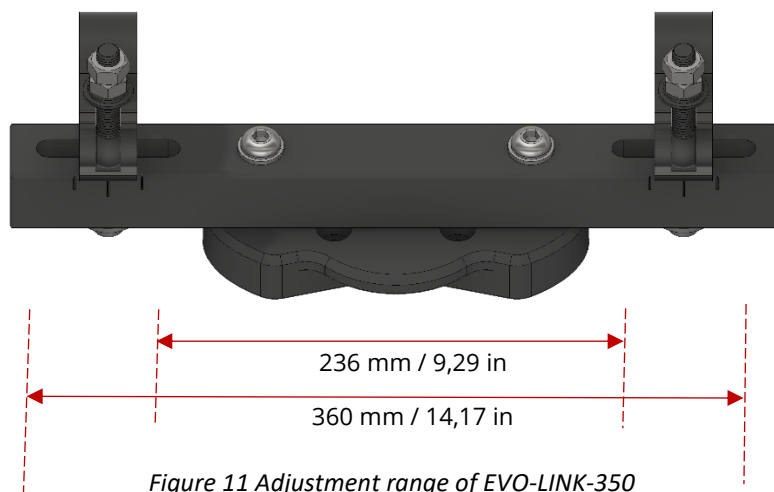


Figure 12 Mounting EVO-LINK-350 to a truss

Manual EVO-LINK-350

Step 1: Carefully move the truss mount with the frame attached towards the truss. Please make sure that both clamps are open so they will fit easily on the truss.

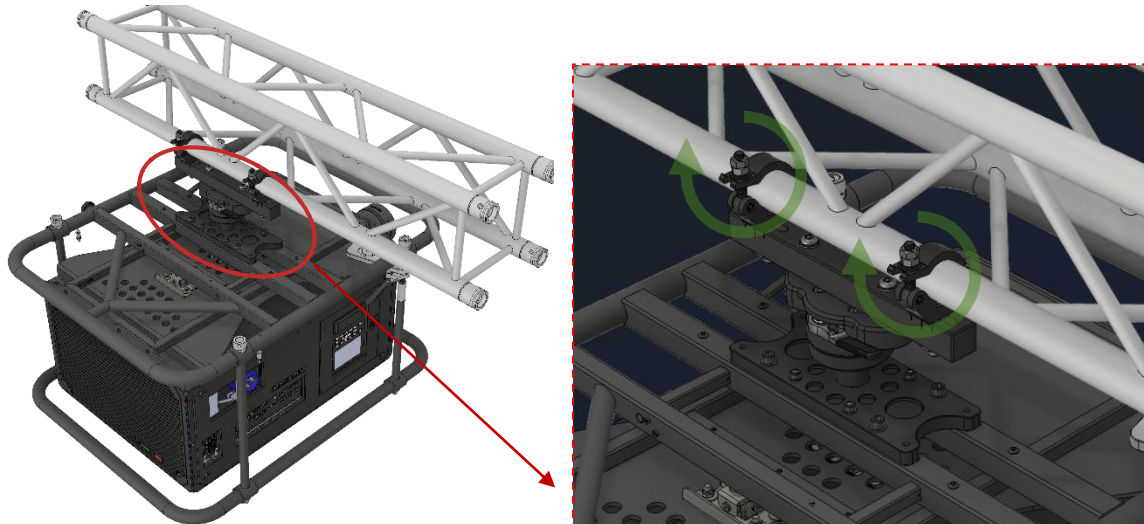


Figure 13 Tightening the four nuts on EVO-LINK-350

Step 2: When the truss mount with the frame is in the desired position. First tighten the lower two nuts followed by the upper two nuts to secure them from loosening and to secure your set-up. The clamps need to be attached firmly, but not so firmly as to damage a pipe or truss tube.



Always install the EVO-LINK-350 in a vertical hanging position! Do not tilt the clamps!

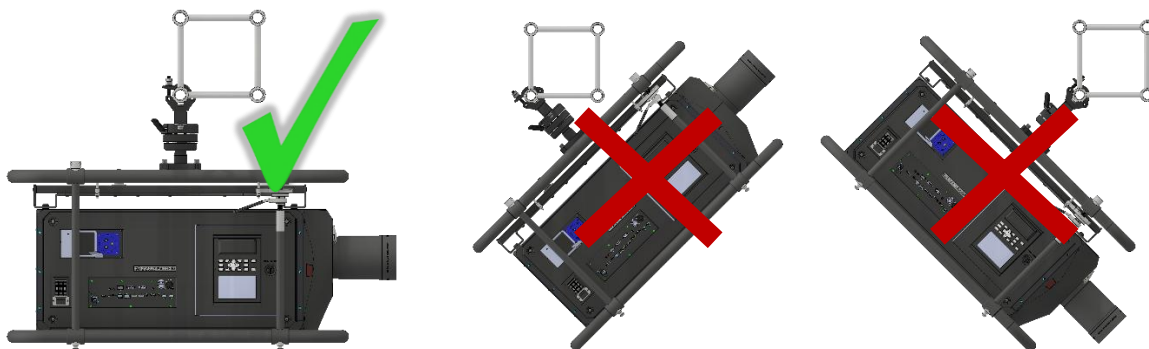


Figure 14 Only installation in vertical hanging position



The clamp needs to be attached firmly, but not so firmly as to damage a pipe or truss tube.

Manual EVO-LINK-350



Insufficient load capacity of the supporting structure may lead to certain parts of the mounted frame or the entire frame to fall down.



Always secure the frames using appropriate **rigging slings with steel cable insert and shackles**. Make sure they are chosen correctly regarding strength, format and length. Please avoid high dynamic forces by ensuring that the frame will not drop more than **10 cm** into the rigging slings. A potential accessory offered by EXACT solutions is the EVO-LINK-SK. See also chapter 5. Accessories



Please consult the local laws or regulations regarding the additional safety of hanging equipment.

When using the EVO LINK Safety Kit, it is important that the rigging sling is double-wrapped and used in a basket hitch configuration to secure the load. By this overall four strings of the rigging sling carry the potential weight. Figure 15 illustrates the correct usage. Figure 16 shows the usage with the frame.

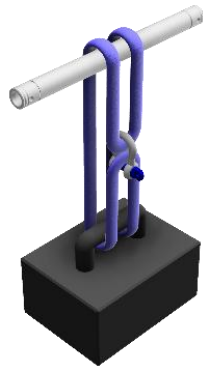


Figure 15 Illustration of basket hitch with a double wrapped rigging sling

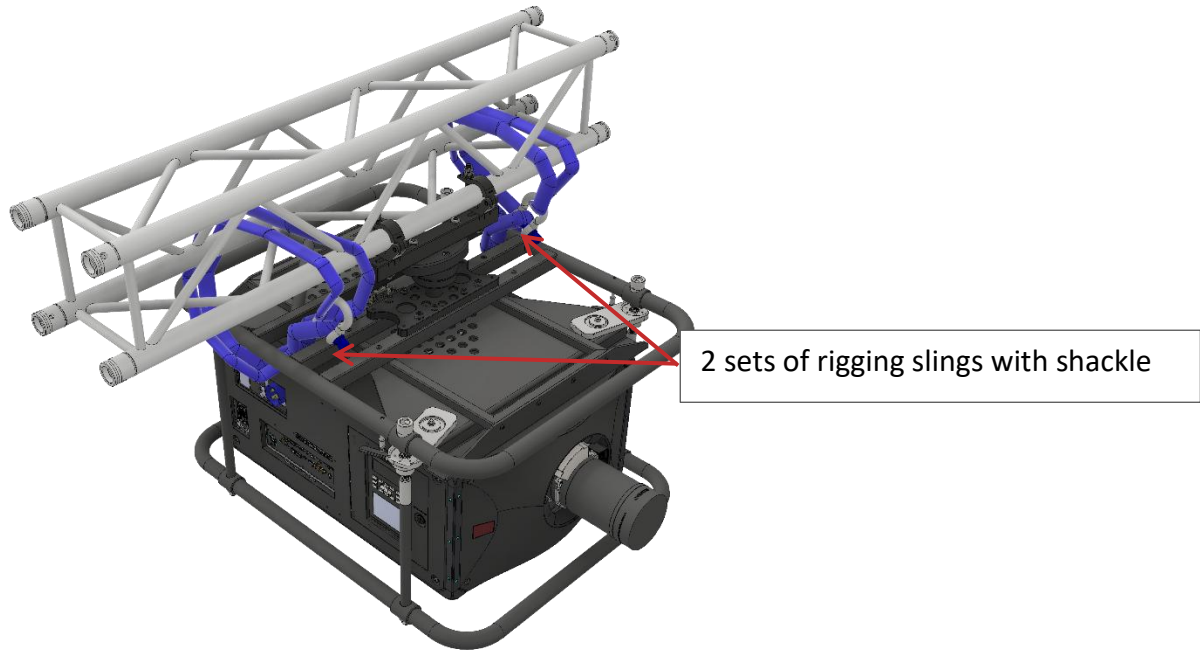


Figure 16 Securing one frame with two sets of rigging slings



The rigging slings should always be installed as a basket hitch. The sling cradles the load and both ends are connected with the shackle.



The two rigging slings must be installed in the same way. This ensures that when the load falls into the rigging slings, both will carry the load.



Figure 17 Securing two frames with two sets of rigging slings



When hanging two frames under each other, secure all frames with the rigging slings. Securing only the upper frame or only the lower frame is not sufficient! Figure 17 shows two frames hanging from a truss where both are secured with rigging slings (Note: The frames are without projector for illustration purpose)



For further information regarding an appropriate rigging sling with steel cable insert and shackle please contact us. A potential accessory offered by EXACT solutions is the EVO-LINK-SK. This is a Safety Cable Kit used as secondary safety device. The EVO-LINK Safety Cable Kit consists of two 2m lifting straps and two shackles. See also chapter 5. Accessories.



When using EVO-LINK-SK or other solutions to act as a secondary safety device make sure that the load will not fall more than 10cm to avoid dynamic forces. Depending on the installation, additional material like shackles might be necessary.

8. Adjustment options



When using the adjustment features of the EVO-LINK products, never apply significant force. All adjustments shall work smoothly and do not require significant force. If significant force is necessary, the cause may be a faulty part or that, the end of the adjustment range has been reached.



When the mechanical adjustment is made, the user must always keep his hands away from the area in between the moving parts.

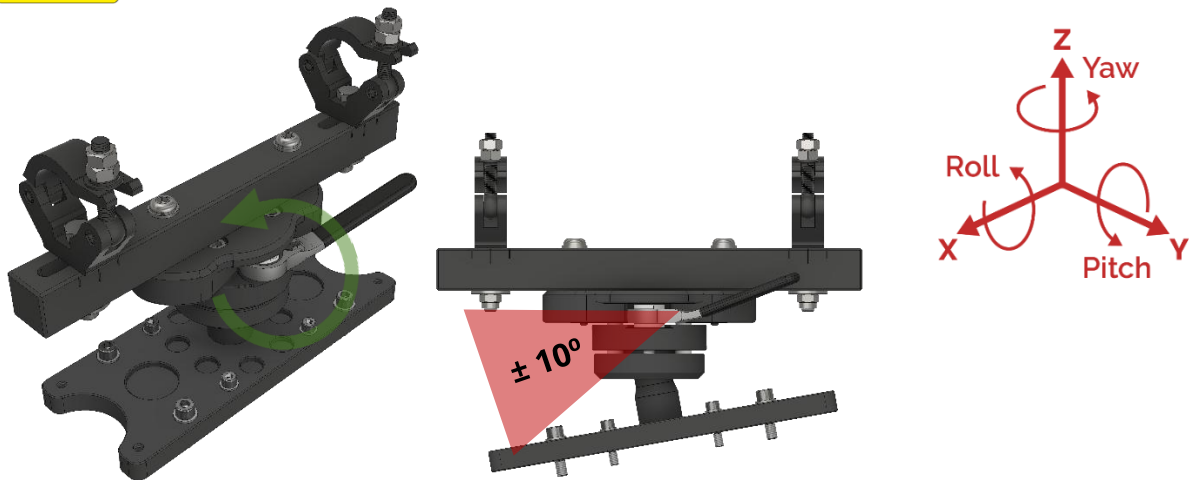


Figure 18 Adjustment

By loosening the ratchet counter clockwise, one can adjust the EVO-Link-350 freely, in the pitch and/or roll directions, with an angle of ± 10 degrees. Also, the entire set-up can be rotated 360 degrees around the Z axis. Use the ratchet lever to switch directions.



Figure 19 Handle

Manual EVO-LINK-350

When the desired position is reached, please tighten the ratchet hand-tight to keep the set-up in that position. Use the ratchet lever to switch directions. **Do not overtighten the adjustment handle. It should be firmly tighten but not tightened with too much force.**



Do not use any tools to increase the force that is applied on the handle. If too much force is applied on the handle property damage or serious accidents can occur.



Depending on the overall load weight and the tilting angle, the system may not be able to hold the desired tilting angle. This can not be considered as a malfunction and makes sense to protect the EVO-LINK from unwanted forces. In that case, additional measures must be applied to hold the tilting angle. Please contact us if any questions appear.

9. Maximum stacking information

Please refer to the tables below to confirm proper usage.






Do not exceed the maximum number of stacked frames that are presented in the table below.





Do not exceed the maximum load limit of 350kg for EVO-LINK-350.

With FRAME-EVO-P10, FRAME-EVO-P11, FRAME-EVO-P11BE, FRAME-EVO-P14, or FRAME-EVO-E10

1 frame	2 frames	3 frames
		

With FRAME-EVO-P20, FRAME-EVO-P30, FRAME-EVO-P32H, FRAME-EVO-P17, FRAME-EVO-C20 or FRAME-EVO-E20

1 frame	2 frames	
		

With FRAME-EVO-C40H

1 frame



2 frames



10. System maintenance and inspection Re-examination



For the EVO-LINK-350 truss mount a visual inspection must be done prior to every installation in which the system is involved. The inspection must be done by a qualified person!



Periodic inspections are mandatory. Depending on local laws and regulations owners / users must do periodic inspections of the frame and all components. In case of German regulations this must be done and documented once a year by a qualified and authorised person. Furthermore, for German DGUV V17/V18 it is mandatory to revalidate the safety every four years. This must be done and documented by an expert that is authorized by the German Social Accident Insurance (DGUV). See chapter 2.1 Definition of qualified persons



Note: The necessary inspection can also be done by the manufacturer.



It is recommended to replace the M8 and M10 screws every year during periodic inspection revalidates the safety of the product

10.1 Mounting screws

- Please make a visual inspection to be sure that all the M8 and M10 screws and corresponding washers are in the right place and none are missing. Make sure they are not damaged in any way such as bended or abrasion at the screw tread
- Make sure that the screws, wing nuts, metal plate and all other components are not bended, damaged, or broken.

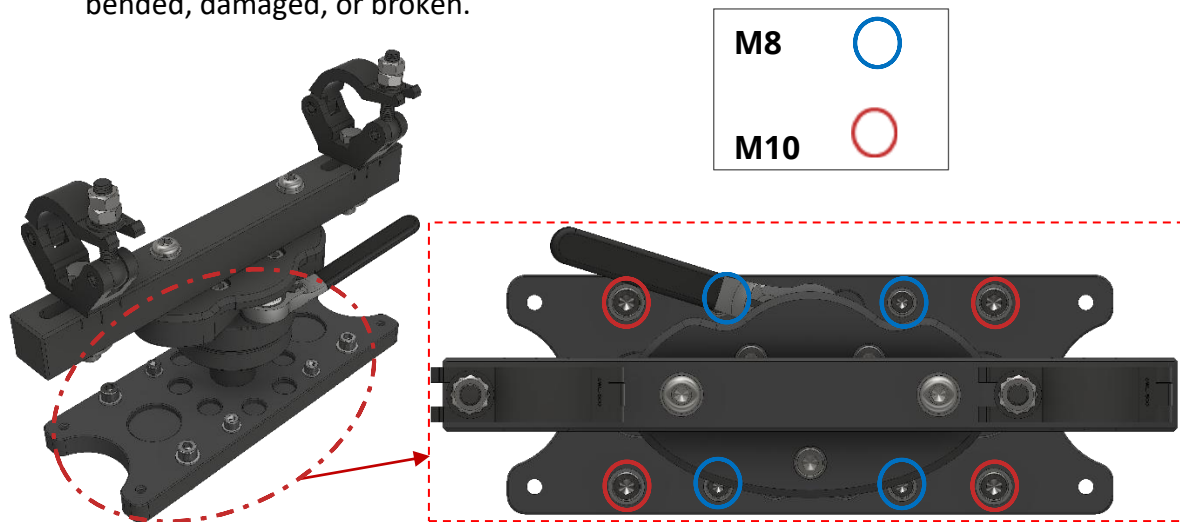


Figure 20 Inspection of M8 and M10 screws



Do not exchange broken or malfunctioning parts with ones that are not accredited by the manufacturer because serious injuries and property damage can occur!



If any parts are broken or missing stop using the product, please contact the seller so he can provide the spare parts. Do not replace any parts on your own.



Note: The position of the M10 screws, marked with a red circle in Figure 20, may vary and can be either in a pattern of 200x100mm or 300x100mm.

10.2 Screws M12 attaching the clamps

Make sure that the M12 screws, washer and safety nuts are not missing or damaged (see Figure 21).

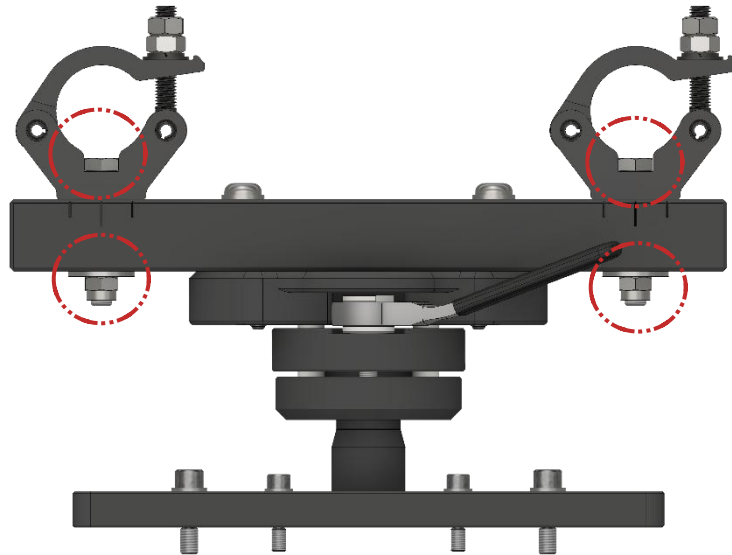


Figure 21 M12 screws at EVO-LINK-350

- Make sure that the truss clamp has no damage and that it is securely tighten to the whole truss mount. Also make sure that the nuts are in place and are able to close the clamp to secure it to a trussing pipe.
- Please control, with a corresponding tool, that all the screws are properly tightened.



Do not exchange broken or malfunctioning parts with ones that are not accredited by the manufacturer because serious injuries and property damage can occur!



If any parts are broken or missing stop using the product, please contact the seller so he can provide the spare parts. Do not replace any parts on your own.

11. Disposal of components

11.1 Metal parts and packaging

All metal parts and packaging can be recycled.

11.2 Disposal of entire devices

You have the possibility to send old devices back to us. Please note that you have to take over the transportation costs for this. Please send the devices to:

EXACT solutions GmbH

Lustheide 85

51427 Bergisch Gladbach

GERMANY

12. Declaration of Conformity



EC - Declaration of Conformity

We hereby confirm that the following described lifting accessory in its conception, construction and form put by us in circulation is in full accordance with all relevant health and safety requirements and complies with the following EC-directive:

2006 / 42 / EG (EG-Machinery Directive)

This declaration is no longer valid if the lifting accessory is modified without our written consent.

Manufacturer: EXACT solutions GmbH
Lustheide 85
D - 51427 Bergisch Gladbach
Tel.: +49 2204 9485 30

Description of the lifting accessory:

- Function: Truss mounting for projector frames such as: FRAME-EVO-P10, FRAME-EVO-P11, FRAME-EVO-P14, FRAME-EVO-P17, FRAME-EVO-P20, FRAME-EVO-P30, FRAME-EVO-P31H, FRAME-EVO-E10, FRAME-EVO-E20, FRAME-EVO-C20, FRAME-EVO-C40H and other compatible projector frames.
- Type/model: **EVO-LINK-350 , EVO-LINK-350-US**
- Serial number: **LINK350.XXX.YY or LINK350US.XXX.YY**
With: XXX unique ID number of a device
YY alphabetical character for internal usage to separate between batches
- Year of construction: 2025

The applied harmonized EN - standards include:

- **DIN EN ISO 1200:2010** Safety of machinery – General principles for design – Risk assessment and risk reduction

Further applied standards and regulations include:

- **DIN EN 13155** DE: Krane – Sicherheit – Lose Lastaufnahmemittel (11/2017)
EN: Crane – Safety – Non fixed load lifting attachments
- **DIN EN 1990** DE: Eurocode 0: Grundlagen der Tragwerksplanung (12/2010)
EN: Eurocode 0: basis of structural design (12/2010)
- **DIN EN 1991-1** DE: Eurocode 1: Einwirkungen auf Tragwerke (12/2010)
EN: Eurocode 1: Actions on structures (12/2010)
- **DIN EN 1993 -1-1/8** DE: Eurocode 3: Bemessung und Konstruktion von Stahlbauten (12/2010)
EN: Eurocode 3: Design of steel structures (12/2010)
- **DIN EN 1999-1** DE: Eurocode 9: Bemessung und Konstruktion von Aluminiumtragwerken (12/2010)
EN: Eurocode 9: Design of aluminium structures (12/2010)
- **DIN EN 62368-1** DE: Einrichtungen für Audio/Video-Informationen- und Kommunikationstechnik – Teil 1: Sicherheitsanforderungen / konstruktive Anforderungen(05/2016)
EN: Audio/video, information and communication technology equipment – Part 1: Safety requirements / constructive requirements (05/2016)
- **DGV V17/18** DE: UVV Veranstaltungs- und Produktionsstätten für szenische Darstellung, Stand Januar 2011 (bisher: BGV C1)
EN: Accident Prevention Regulation for Staging and Production Facilities for the Entertainment Industry (formerly BGV C1)
- **DGV 315-390** DE: Grundsätze für die Prüfung maschinentechnischer Einrichtungen in Bühnen und Studios (bisher: BGG/GUV-G 912)
EN: Fundamentals for testing in stages and studios of the mechanical equipment (formerly BGG/GUV-G 912)
- **DGV 215-313** DE: Lasten über Personen. Sicherheit bei Produktionen und Veranstaltungen von Fernsehen, Hörfunk, Film, Theater, Messen, Veranstaltungen (bisher BGI-810)
EN: Safety at Productions and Events – Loads Suspended above Persons (formerly BGI-810)

Bergisch Gladbach, 12th of August 2025

Signature:

(Tobias Schwirten, Managing Director, EXACT solutions GmbH)



Imprint

EXACT solutions GmbH

Lustheide 85

51427 Bergisch Gladbach

GERMANY

Tel.: +49 2204 9485 30

E-Mail: info@exactsolutions.de

Web: www.exactsolutions.de